

[TopPage](#)>>[Search Result](#)>>7201DF

Angular Contact Ball Bearings

Bearing No. : **NACHI 7201DF**

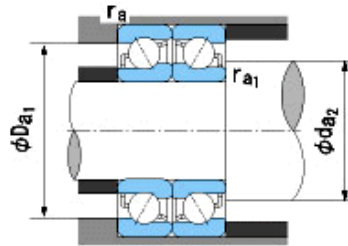
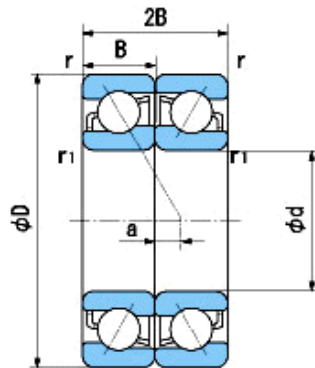
■ Bearing Type

■ Clearance

■ Tolerance Class

Dimensions

d = 12⁰_{-0.008}
 D = 32⁰_{-0.011}
 B = 10⁰_{0.000}
 r = 0.6~1
 (Radial Direction)
 r = 0.6~2
 (Axial Direction)
 r1 = 0.3~0.6
 (Radial Direction)
 r1 = 0.3~1
 (Axial Direction)
 a = 1.4



Dimensions

da1(min) = 17
 da2(min) = 14
 Da1(max) = 27
 Da2(max) = 29.4
 ra(max) = 0.6
 ra1(max) = 0.3
 Mass = 0.08 kg

Basic Dynamic Load Rating Cr : **12,400** N

Basic Static Load Rating Cor : **7,950** N

Limiting Speed ;

Grease Lubrication : **16,000** min⁻¹

Oil Lubrication : **22,000** min⁻¹

	INNER RING	OUTER RING
O.D.Surface Runout with Side :		-
Axial Runout with Bore :	-	-
Axial Runout with Raceway :	-	-
Width Variation :	0.020	0.020
Radial Runout :	0.010	0.020